

# HZ16 Through Roof Packaged Air Conditioning Unit



Safely Controlling Environments in Hazardous Areas



HVAC & Refrigeration Engineering Ltd - Products Division  
Unit A | Broadfold Road | Bridge of Don | Aberdeen | AB23 8EE  
t (+44) 01224 707080 e info@hvac-refrigeration.co.uk [www.hvac-refrigeration.co.uk](http://www.hvac-refrigeration.co.uk)

## HZ16 Through Roof Packaged Air Conditioning Unit

### Introduction

Hazcool HZ16 Rooftop Packaged Air Conditioners are robustly designed and constructed for use in the hazardous offshore, marine and petrochemical environment.

Our team of dedicated, highly skilled engineers and technicians use their extensive knowledge, experience and the latest 3D technology to continually develop and update our designs.

Materials and components are selected to provide resistance to corrosion, long service life and optimum reliability along with standardisation of common components across the range to ensure spare parts are always readily available at competitive prices.



### System Description

The HZ16 unit is a 1 piece packaged design that requires no specialist refrigeration skills to install as there is no external piping required and the unit is pre-charged with refrigerant.

Controls are designed to be easy to operate without the need for complicated programming while still maintaining reliable efficient automatic control of room temperature. Only one client interface is required for electrical supply (and external controls if required).

NB. This unit requires a minimum of 50pa positive pressurisation within the area it serves.

### Typical Applications

This equipment is suitable for providing climate control in the following typical applications:

- Local Equipment Rooms
- Switch Rooms
- SCR's
- VSD/VFO Drive Houses

### Options

- Range of cooling capacities from 3 to 40kW
- Electric heating
- IEC Zone 1/2 Certification
- ATEX Category 2/3 Certification
- Other Certification may be available
- Notified Body Type Approval

*For non-hazardous areas units – please refer to our [climarine](#) range of products*

# HZ16 Through Roof Packaged Air Conditioning Unit

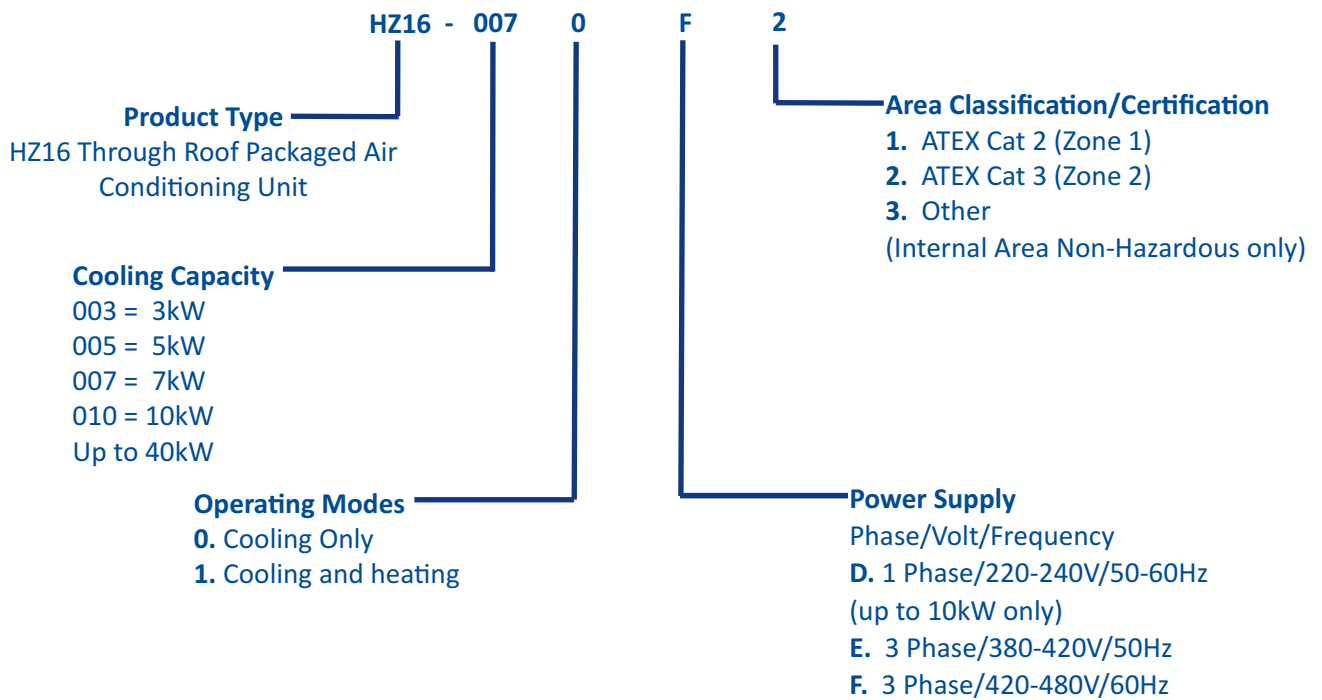
## Use of Equipment

The user is responsible for the choice of the type of equipment put in place and must take into account the explosion risk area in which the equipment will operate, checking the classification of the hazardous area and temperature class is suitable.

## How to Order

### For example

A Through Roof Packaged Air Conditioning Unit offering 7kW of cooling, operating on 3 phase/440V/60Hz and certified to ATEX Cat 3(Zone 2).



HVAC & Refrigeration Engineering Ltd - Products Division  
Unit A | Broadfold Road | Bridge of Don | Aberdeen | AB23 8EE  
t (+44) 01224 707080 e info@hvac-refrigeration.co.uk [www.hvac-refrigeration.co.uk](http://www.hvac-refrigeration.co.uk)